

General Specifications

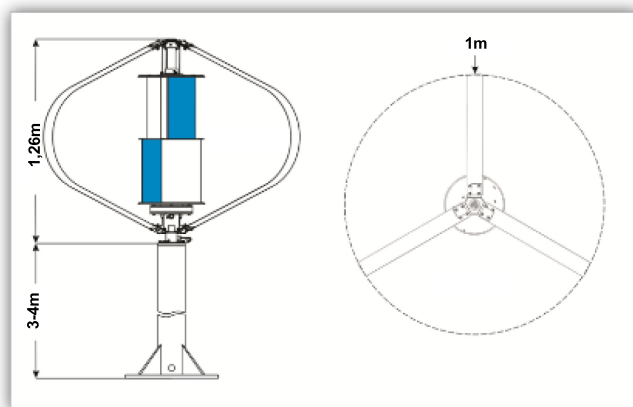
Rated Power	300W	Wind Speed max. power	15 m/s
Maximum Power	500W	Cut in Wind Speed	<3 m/s
Cut out Wind Speed	15.5 m/s	Survival Wind Speed	60 m/s

Dimensions/Weight

Rotor Diameter	1 m
Rotor Height	1.26 m
Tower Height	4.00 m (minimum)
Total Height	5.06 m (minimum)
Turbine Weight	25.5 kg w/o tower

Rotor Specifications

External Darrieus	3 blades
Internal Savonius	2 layers
Blades Material	Anodized aluminum
Axis Material	Galvanized steel SS400



Generator Specifications

Generator Type	AC, 3phase, Synchronism PMG
Rated Output	300W

Braking System

Automatic	3-phase short circuit braking system
Manual	Optional

Operation Conditions

Ambient Temperature	-10~40°C
Ambient Humidity	95% max.

Power Curve

